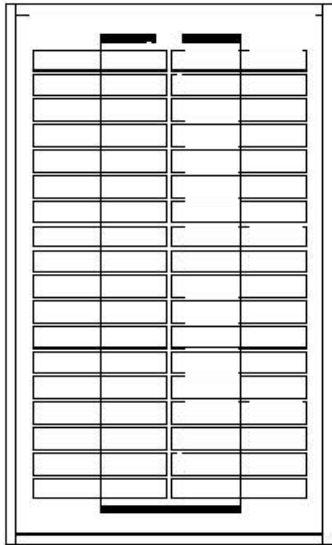


ISP-A105 Panels Specifications



Solar cells: 36 pieces
crystalline solar cells

Layout
:
2*8

Laminate: Glass /EVA / TPT
(tedlar/pet/tedlar) or TPE **Front Side:**

High-transmission 3.2mm tempered glass

Back Side: TPT /TPE

Frame: Clear anodized
aluminum frame

Output cable: Multicontact
connectors

Module Type	Pm(Wp)±5%	Vmpp(V)	Imp(A)	Voc(V)	Isc(A)	Module size(mm)	NET(kg)
ISP-A105	5	17.3	0.29	21.6	0.32	300*190*17(mm) 11.8*7.5*0.67(inch)	0.7

Operation Temperature Range: - 40°C ~ 85°C

NOCT: 48°C±3°C

Temperature coefficients of Im:

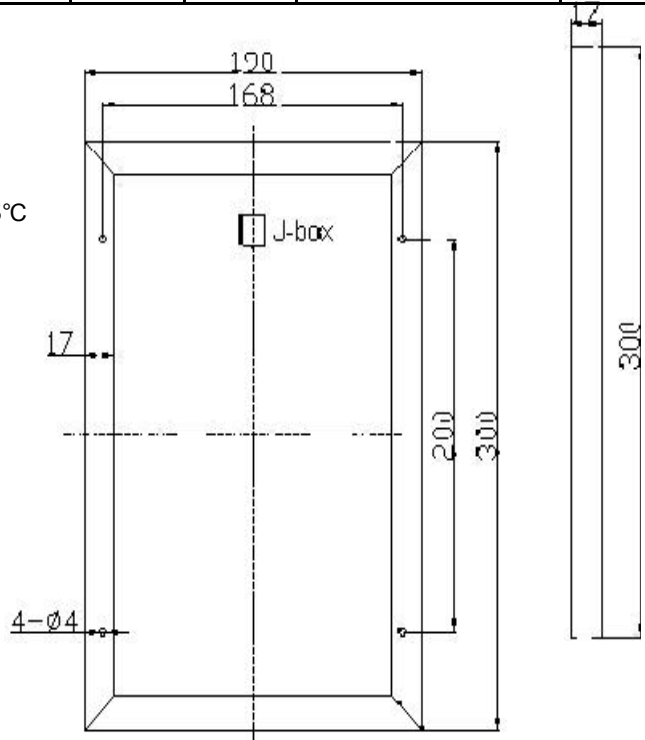
+ 0.1 %/°C Temperature

coefficients of Vm: - 0.38 %/°C

Maximum System Voltage:

DC715V

STC: 1000W/m² , 25°C , AM1.5



All the data of this sheet are subjected to change without notice.