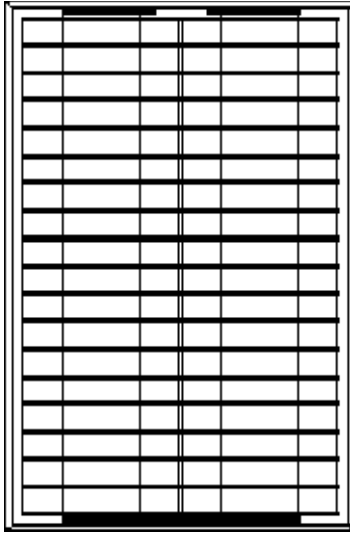


ISP-A120 Panels Specifications



Laminate: Glass /EVA / TPT

(tedlar/pet/tedlar) or TPE **Front Side:**

High-transmission 3.2mm tempered glass

Back Side: TPT /TPE

Frame: Clear anodized aluminum frame

Output :
Junction
box

| Module Type | Pm(Wp)±5% | Vmpp(V) | Impp(A) | Voc(V) | Isc(A) | Module size | NET(kg) |
|-------------|-----------|---------|---------|--------|--------|-------------------------------------|---------|
| ISP-A120 | 20 | 17.3 | 1.16 | 21.6 | 1.29 | 530*350*25(mm) 20.9*13.8*1(inch) | 2.40 |

Operation Temperature Range: - 40°C ~ 85°C

NOCT: 48°C±3°C

Temperature coefficients of Im:

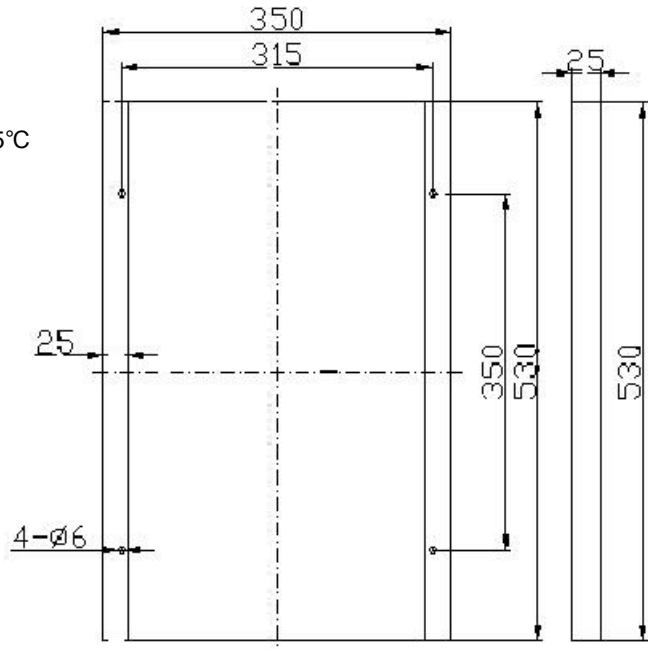
+ 0.1 %/°C Temperature

coefficients of Vm: - 0.38 %/°C

Maximum System Voltage:

DC715V

STC: 1000W/m² , 25°C , AM1.5



All the data of this sheet are subjected to change without notice.