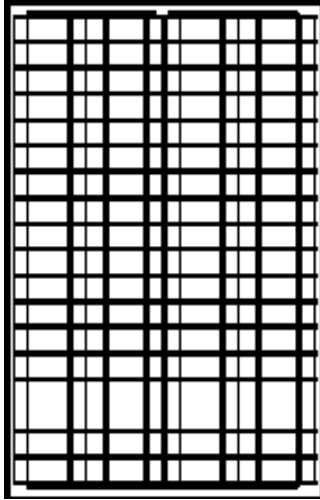


ISP-A175 Panels Specifications



Laminate: Glass /EVA / TPT

(tedlar/pet/tedlar) or TPE **Front Side:**

High-transmission 3.2mm tempered glass

Back Side: TPT /TPE

Frame: Clear anodized aluminum frame

Output:
Junction
box

Module Type	Pm(Wp)±5%	Vmpp(V)	Impp(A)	Voc(V)	Isc(A)	Module size	NET(kg)
ISP-A175	75	17.3	4.34	21.6	4.82	910*670*35(mm) 35.8*26.4*1.37(inch)	7.0

Operation Temperature Range: - 40°C ~ 85°C

NOCT: 48°C±3°C

Temperature coefficients of Im:

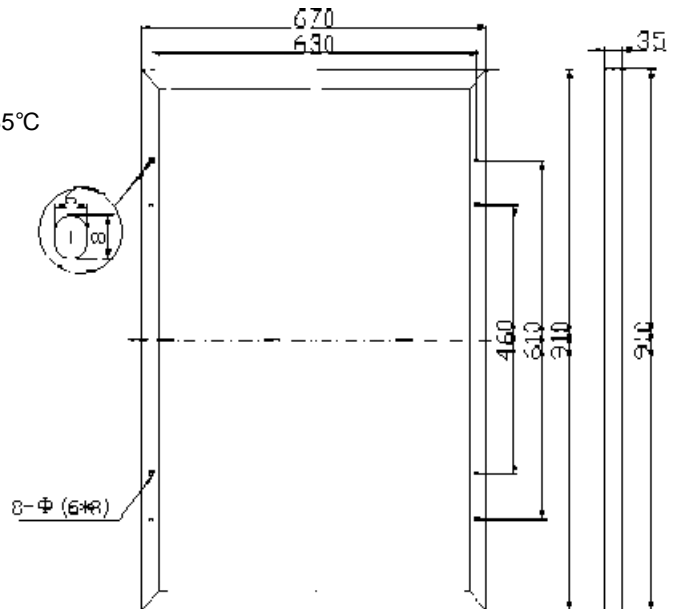
+ 0.1 %/°C Temperature

coefficients of Vm: - 0.38 %/°C

Maximum System Voltage:

DC715V

STC: 1000W/m² , 25°C , AM1.5



All the data of this sheet are subjected to change without notice.